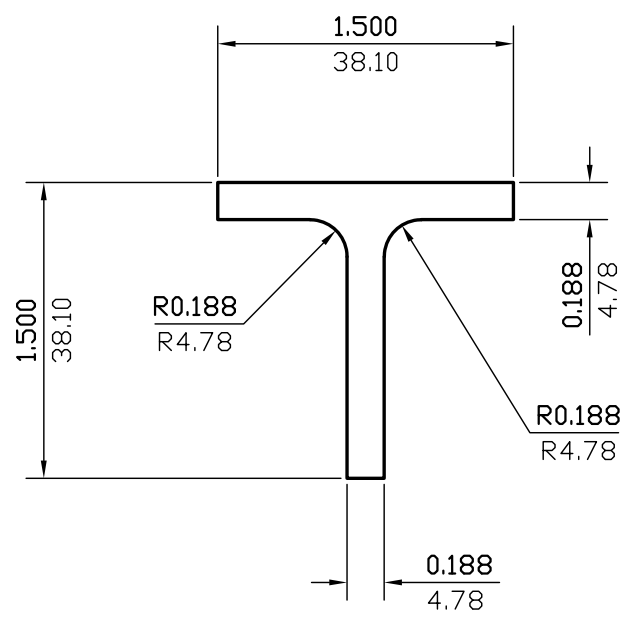


NOTE: BREAK ALL CORNERS WITH 0.015" (.38 MM) RADIUS UNLESS OTHERWISE NOTED. STANDARD TOLERANCES TO APPLY UNLESS OTHERWISE SPECIFIED.

CUSTOMER PART No.	CAN ART STD.	DIE No. ES05693
DESCRIPTION 1-1/2 x 1-1/2 x 3/16 TEE BAR		PROPOSAL No. S-10651



WALL THICKNESS (AS SHOWN) EXCEPT AS SHOWN

DATE	REV	DESCRIPTION	BY
03/21/23	1	REMOVED ALLOY	JASON
EST.AREA	0.544	IN. ²	EST.AREA 350.857
			MM. ²
EST.WT.	0.642	LBS/FT.	EST.WT. 0.955
			KG/M.
EST.PER.	5.839	IN.	EST.PER. 148.301
			MM.
OUT PER.		IN.	OUT PER.
			MM.
C.C.D.	1.880	IN.	C.C.D. 47.753
			MM.
FACTOR	9	FINISH	M/F
		ALLOY & TEMP.	
CKD BY	SCALE 1:1	DWN BY	C.P. DATE 01/15/2001

CAN ART

ALUMINUM EXTRUSION INC.

85 PARKSHORE DRIVE
BRAMPTON, ONT L6T 5M1
TEL. NO. (905) 791-1464
FAX NO. (905) 791-9151
E-MAIL: canart@canart.com

THIS DRAWING IS NOT NECESSARILY A COPY OF YOUR ORIGINAL. PLEASE APPROVE DIMENSIONS AND TOLERANCES INDICATED. CAN ART ASSUMES NO RESPONSIBILITY EITHER TECHNICAL OR LEGAL FOR HAVING THIS SHAPE MADE. THE CUSTOMER AGREES TO FULLY PROTECT CAN ART ALUMINUM FROM CLAIMS OF OTHERS RESULTING FROM THIS SHAPE.

SIGNED: _____ DATE: _____